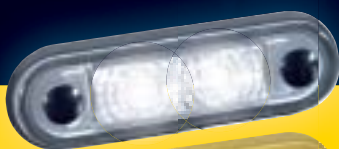


Interior lighting
Truck & Trailer



Light up Life

Product catalogue 2010



Plain sailing for trailer, truck & co.

At HELLA, developing new trends in lighting technology and securing success with excellent, innovative products is a real tradition.

These days, fleet vehicles must have first-class equipment in all respects to enable them to meet the demanding requirements they face in terms of traffic and operational safety. Optimum interior lighting is just one important aspect of this.

HELLA provides a clearly structured range of lighting and lamp technologies for all on-board application areas. Each of these lights fulfils a clearly defined purpose, has been conditioned for certain positions and thus blends perfectly into the overall vehicle concept. The result: better visibility and increased safety in both the cockpit and loading area.



Highlights:

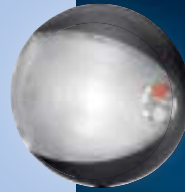
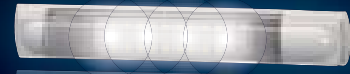
- *Increased road safety through innovations in lighting technology: e.g. Xenon and LED.*
- *Increased reliability in the production process thanks to OE quality and synergies from developments for the international automotive industry.*
- *Increased profit guarantee thanks to integrated electronics components.*
- *Increased quality reliability thanks to zero-fault quality management.*
- *Increased trend certainty thanks to the unusual range depth and modular systems.*



Ceiling lights

The traffic situation on roads and motorways demands skilful driving and concentrated attention.

Sometimes people forget that nothing can go smoothly if no-one takes "the others" into account. It's no use just demanding consideration and level-headed behaviour, of course. Active behaviour is required here - starting even before you set off on your trip. For professionals behind the wheel, a vehicle and lights check before a journey starts is a matter of course. And they confirm again and again that HELLA is a reliable brand. The indispensable ceiling lights, for example, are not only extremely practical and nice to look at, they also guarantee an enormous continuous output and thus safety to a certain extent.

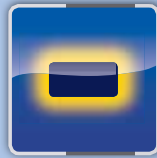


Reading lights

There's something special about every route. Experienced truck drivers know this and usually have no problems adjusting.

In addition to the typical season-related difficulties, however, there are a few more imponderables that can happen and need to be dealt with on almost every trip. Mistakes made by individual road users, traffic jams and – quite often a direct result of these – unforeseen diversions can lead to situations that leave drivers facing a real challenge. It's a good thing if you can at least rely on your interior lights at moments like these. And there's no doubt about that with HELLA reading lights. No matter whether you decide in favour of reading spotlights using classic bulb technology or flexible LED reading lights.





Ambient lighting

What is pure routine for the cargo master and his experienced helpers demands a great deal of respect from laymen.

It is pretty impressive to see how professionals manage to use even the smallest of storage spaces efficiently for their task. Which means it is all the more important that ceiling lights only take up a little room. The extremely small overall height of 16 mm and complete resistance to cold and humidity make the CargoLED suitable for all freight and vehicle types. In addition, its four Power-LEDs provide optimum light yield and guarantee a service life of at least 50,000 hours. What more can you want!



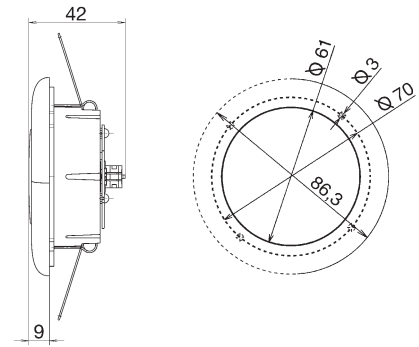
Orientation lights

Better technology means better business! There's no disputing that. The success of a transport company depends to a large extent on its vehicles reaching their destination "just in time".

And as far as drivers are concerned, they are happy of course when they can drive a smart truck around, but they find it much more important to be able to hit the road with a vehicle that is reliable and well-equipped all round, which definitely includes first-class exterior and interior lighting. HELLA's lighting technology perfectly fulfills these demands. The LED flush-mounted light provides very good light yield, for example, and has made a name for itself – both inside and out – as a step light and flush-mounted light for emergency and night-time lighting in particular.



LED-Spots Standard, adjustable



- LED and bulb technology
- Fixed and adjustable
- With ambient CELIS® ring

Power-LED with dimming function

Optimum light yield thanks to the combination of Power-LED and precision reflector. Service life at least 50,000 hours. The electronics has a dimming function.

Precision reflector

The light of the Power-LED is focused and enables illumination with an extremely high lighting performance.

Clear-glass lens

Makes clean distribution within the light necessary, since reflector, LED and the optional CELIS® light guide ring are visible.

CELIS® light guide ring

This technology, which is used exclusively by Hella, stands out through the special design for indirect ambient lighting. It thus creates a relaxed atmosphere in the vehicle.

Frame

Especially shatterproof and impact-resistant (plastic: ABS). Available in the following colours: white, black, silver, chrome and gold.

Technical data	
Number of LEDs	1 (+1 optional for ambient CELIS® ring)
Illumination angle	40° or 20°
Alignment of the light source	adjustable
Light source	warm-white Power-LED, + optional ambient LED
Lens	clear
Installation	Flush-mounted, either screw-type or spring-clamp fastening
Voltage	Multi-voltage (10-31 VDC)
IP protection class	3X
Electrical connection	via 4-pin AMP plug inc. contacts (included in the scope of supply)
Power consumption	2 Watt (0.16 A at 12 V)
Illuminance at 1 m	156 lux (20°), 65 lux (40°)

Frame colour	Illumination angle	
	20°	40°
white	2JA 343 790-401	2JA 343 790-301
black	2JA 343 790-411	2JA 343 790-311
silver	2JA 343 790-441	2JA 343 790-341

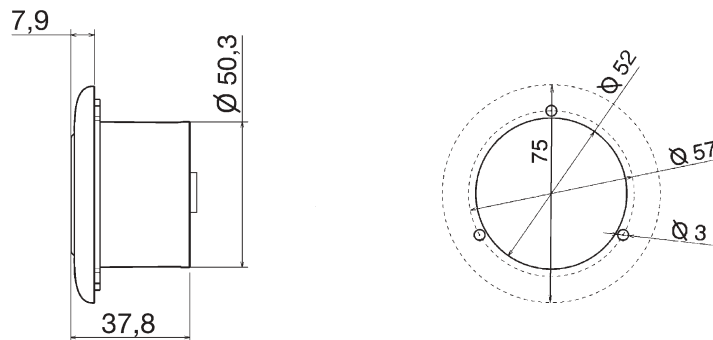
Frame colour	with white ambient CELIS® ring	
	20°	40°
white	2JA 343 790-601	2JA 343 790-701
black	2JA 343 790-611	2JA 343 790-711
silver	2JA 343 790-641	2JA 343 790-741

Ambient CELIS® light guide ring (e.g. blue, red) on request.

Accessories	Part no.
Frame, chrome	9AB 343 792-061
Frame, gold	9AB 343 792-071



LED-Spots Standard, fix



Technical data	
Number of LEDs	1 (+1 optional for ambient CELIS® ring)
Illumination angle	40° or 20°
Alignment of the light source	fixed
Light source	warm-white Power-LED + optional ambient LED
Lens	clear
Installation	Flush-mounted, either screw-type or spring-clamp fastening
Voltage	Multi-voltage (10-31 VDC)
IP protection class	3X
Electrical connection	via 4-pin AMP plug inc. contacts (included in the scope of supply)
Power consumption	2 Watt (0.16 A at 12 V)
Illuminance at 1 m	156 lux (20°), 65 lux (40°)

Frame colour	Illumination angle	
	20°	40°
white	2JA 344 040-741	2JA 344 040-701
black	2JA 344 040-751	2JA 344 040-711
silver	2JA 344 040-761	2JA 344 040-721

Accessories	polished	glazed
Metal frame, stainless	9AB 959 505-501	9AB 959 505-561

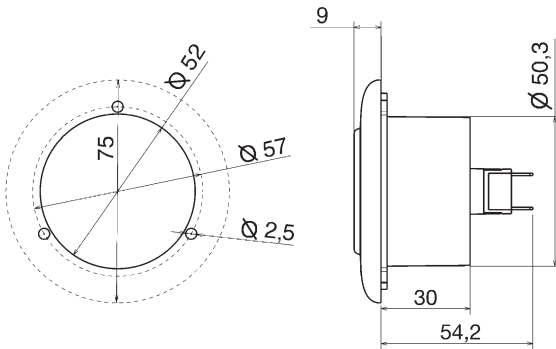
Further finisher colours (e.g. real-wood look) or ambient CELIS® light guide ring (e.g. blue, red) on request.

Accessories		
Finisher with sharp edges		
Colour	square	round
black	9AB 344 058-001	9AB 344 057-001
white	9AB 344 058-011	9AB 344 057-011
silver	9AB 344 058-021	9AB 344 057-021
chrome	9AB 344 058-061	9AB 344 057-061
gold	9AB 344 058-071	9AB 344 057-071

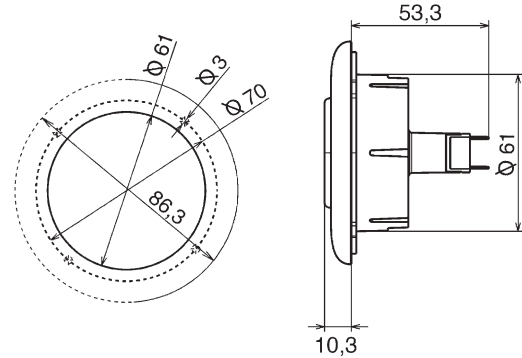
Colour	Finisher with rounded edges
chrome	9AB 344 045-061
gold	9AB 344 045-071



Bulb-Spots, fixed and adjustable



Flush-mounted, fixed



Flush-mounted, adjustable

Technical data

Illumination angle	35°
Alignment of the light source	fixed or adjustable
Light source	Bulb W5W 12V
Lens	clear
Installation	Flush-mounted, either screw-type or spring-clamp fastening
Voltage	12V or 24V (depending on the bulb used)
IP protection class	3X
Electrical connection	via 6.3 mm male blade connector
Power consumption	5 Watt (0.41 A at 12 V)
Illuminance at 1 m	145 lux

Frame colour	fixed	adjustable
white	2JA 343 985-001	2JA 343 795-001
black	2JA 343 985-011	2JA 343 795-011
silver	2JA 343 985-041	2JA 343 795-021

Spare parts	Part no.
Bulb 12V W5W	8GP 003 594-121

Accessories	Part no.
Bulb 24V W3W	8GP 003 594-241
Bulb 24V W5W	8GP 003 594-251

Accessories

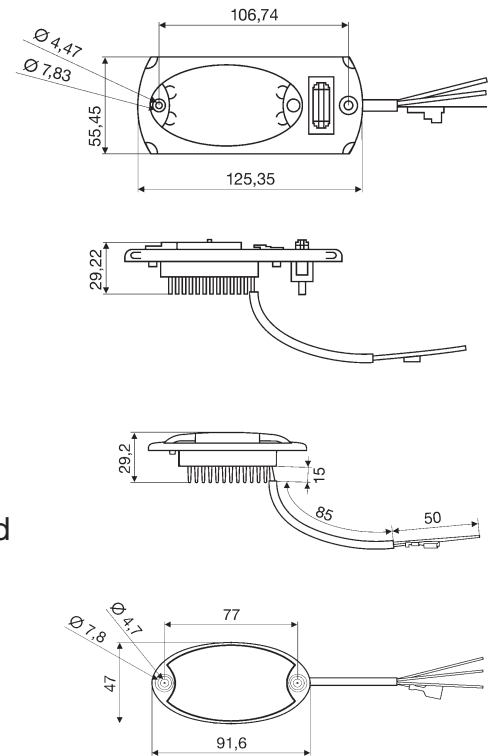
Finisher colour	fixed	adjustable
chrome	9AB 344 045-061	9AB 343 792-061
gold	9AB 344 045-071	9AB 343 792-071
stainless polished	9AB 959 505-501	
stainless glazed	9AB 959 505-561	



Mini OvalLED



- Optimum light yield due to the use of 5 LEDs with a service life of at least 50,000 hours.
- Ambient lighting with separate switching of a red (or blue) LED
- Especially shatterproof black housing, shock-resistant and UV resistant
- Version without switch and frame is completely watertight and is therefore perfect for use in cold and moist environments
- Small overall height, fitted using screws as flush-mounted version
- LED technology, red or blue ambient lighting



Technical data	
Number of LEDs	4 white and one ambient LED
Alignment of the light source	fixed
Light source	Standard or Power-LEDs
Lens	clear
Installation	Flush-mounted, with or without frame and switch, screw attachment
Voltage	12 V or 24 V
IP protection class	6K9K (without frame/switch), 40 (with frame/switch)
Electrical connection	via cables (4 x 0.75 mm ² ; length 125 mm)
Power consumption	Standard: 1.7 Watt (0.14 A at 12 V) Power: 3.6 Watt (0.30 A at 12 V)
Illuminance at 1 m	14.5 lux (Standard), 54 lux (Power)

LED equipment	Rated voltage	ambient lighting	without frame and switch	with frame and switch
4 white Power-LEDs	12 V	red	2JA 343 570-011	2JA 343 570-051
4 white Power-LEDs	24 V	red	2JA 343 570-001	2JA 343 570-041
4 white Power-LEDs	12 V	blue	2JA 343 570-117	2JA 343 570-157
4 white Power-LEDs	24 V	blue	-	2JA 343 570-141
4 white Standard-LEDs	12 V	red	2JA 343 570-031	2JA 343 570-071
4 white Standard-LEDs	24 V	red	2JA 343 570-021	2JA 343 570-061

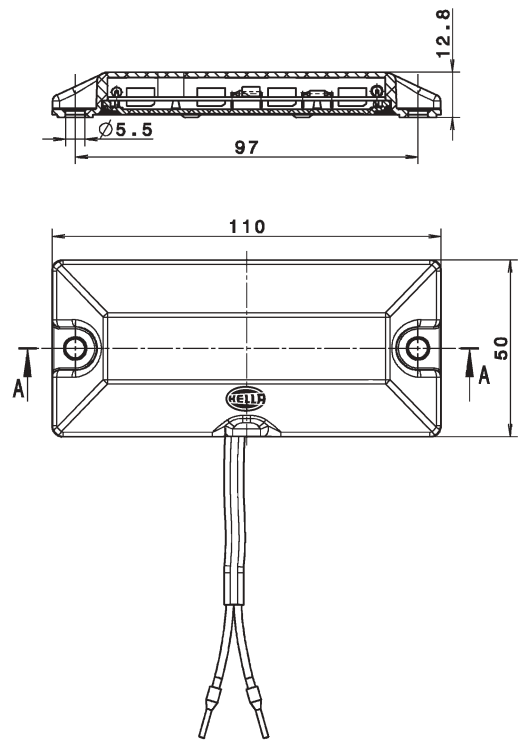
Other versions are available on request.



LED trailer light



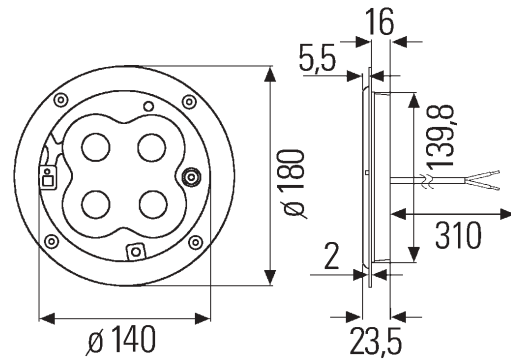
- LED lighting technology
- Protection class IP 6K9K
- Radiation angle 40°
- High energy efficiency
- Ideal for use as a ceiling light in cooling trailers, luggage compartments and storage spaces



Technical data

Number of LEDs	4
Radiation angle of the LED	40°
Alignment of the light source	fixed
Light source	cold-white Power-LEDs
Lens	clear
Housing	black
Installation	Surface-mounted, screw attachment
Voltage	24 V
IP protection class	6K9K
Electrical connection	via cables (2 or 3 x 0.75 m ² ; length 1300 mm)
Power consumption	1.5 Watt (0.06 A at 24 V)
Illuminance at 2.5 m	8 lux (average value for illumination of a complete trailer / measuring points: floor)
Part no.	2JA 010 838-017

*Versions with longer cables available on request



- LED lighting technology
- IP protective rating 6K9K; ADR/GGVS tested
- Ideal for use as a ceiling light in refrigerated trucks, ambulances, driver cabs and storage spaces

4 Power-LEDs

Optimum light yield thanks to the use of 4 Power-LEDs with a service life of at least 50,000 hours.

Clear Perspex lighting lens (PMMA)

Housing

Especially shatterproof and impact-resistant (plastic: ABS) as well as resistant to UV rays. Colour: grey

Installation

Screw attachment as flush-mount variant. An installation frame also allows use as a surface-mount variant.

Protection class IP 6K9K

Absolutely waterproof and thus ideal for use in cold and humid environments.

Extremely low design height

Especially suitable for flat installation conditions (16 mm), since the heat of the LEDs is radiated to the vehicle interior.

Multi-voltage

Multi-voltage circuits keep the light yield constant over a voltage range of 9 to 31 Volts. This allows the same Hella LED light to be used for both 12 and 24 Volt applications. Multi-voltage also compensates for voltage fluctuations which arise through the use of long cables, plug-connections and within the vehicle electric system. In addition, Hella multi-voltage circuits are protected from inverse polarity and voltage peaks, enabling them to provide reliable safety even at low battery voltages.

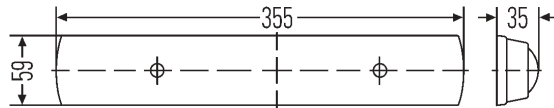
Technical data	
Number of LEDs	4
Illumination angle	44°
Alignment of the light source	fixed
Light source	cold or warm-white Power-LEDs
Lens	clear
Installation	Flush-mounted or surface-mounted (with installation frame), screw attachment
Voltage	Multi-voltage (9-31 VDC)
IP protection class	6K9K
Electrical connection	via cables (2 x 0.75 mm ² ; length 310 mm)
Power consumption	6 Watt (0.5 A at 12 V)
Illuminance at 1 m	180 lux

LED colour	Part no.
cold-white	2JB 343 227-001
warm-white	2JB 343 227-041

Accessories	Part no.
Installation frame, grey	9XD 344 118-101



Surface-mounted LED lights



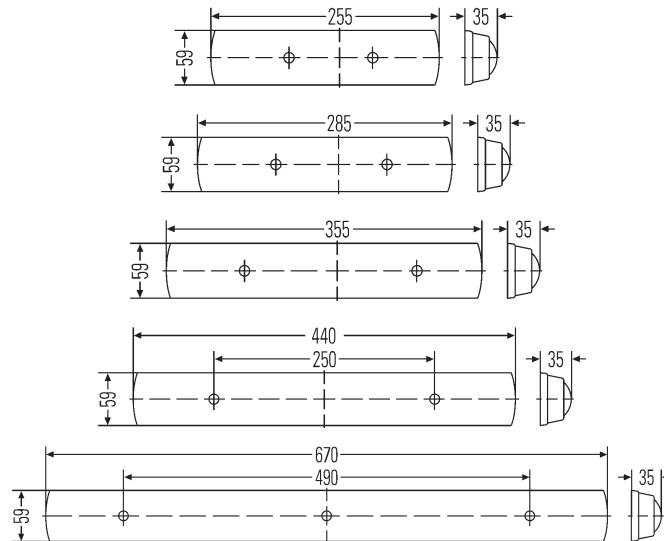
- LED lighting technology
- With 12 or 24 LEDs and switch
- Surface-mount version with an overall height of 35 mm
- Integrated on/off switch
- Lens and frame made of shock and impact-resistant material
- Optimum thermal management thanks to integration of the PCB in the LED module
- Innovative lighting technology with high-power LEDs

Technical data		
Number of LEDs	12	24
Rated power	3.5 W	7 W
Power consumption of bulb	ca. 0.30 A at 12 V ca. 0.15 A at 24 V	ca. 0.58 A at 12 V ca. 0.29 A at 24 V
Illuminance	ca. 100 lux at 1 m	ca. 200 lux at 1 m
Voltage	Multi-voltage 10 to 30 V	
Light colour	4000 K (neutral white)	
Temperature range	-40 °C to + 60 °C	
Part no.	2JA 007 373-151	2JA 007 373-161

Note:
The hole pattern of the LED lights is identical to that of the transistor ceiling lights 2JA 007 373-061 (12 V) and -071 (24 V). This means these lights can be exchanged 1:1. However, the compact fluorescent tubes cannot be replaced by LED modules on account of the integrated multi-voltage triggering system in the lights.



Transistor ceiling lights



Technical data	
Light source	Fluorescent lamp
Alignment of the light source	fixed
Lens	clear
Switches	On/off switch integrated
Installation	Surface-mounted
Voltage	12 V
IP protection class	43
Electrical connection	via cables with tin-plated cable ends, completely interference suppressed

Length	Rated voltage	Power consumption	Part no.
255 mm	12 V	300 mA	2JA 007 373-001
255 mm	24 V	300 mA	2JA 007 373-011
285 mm	12 V	385 mA	2JA 007 373-031
285 mm	24 V	385 mA	2JA 007 373-041
355 mm	12 V	550 mA	2JA 007 373-061
355 mm	24 V	550 mA	2JA 007 373-071
440 mm	12 V	390 mA	2JA 007 372-001
440 mm	24 V	390 mA	2JA 007 372-011
670 mm	12 V	580 mA	2JA 007 372-041
670 mm	24 V	580 mA	2JA 007 372-051

Spare parts	Light colour	for lamp length	Part no.
Fluorescent lamp, 7 W	white	255 mm	8GS 861 955-001
Fluorescent lamp, 9 W	white	285 mm	8GS 861 955-011
Fluorescent lamp, 11 W	white	355 mm	8GS 861 955-021
Fluorescent lamp, 8 W	warm-white	440 mm	8GS 002 296-101
Fluorescent lamp, 8 W	white	440 mm	8GS 002 296-111
Fluorescent lamp, 13 W	white	670 mm	8GS 861 953-011



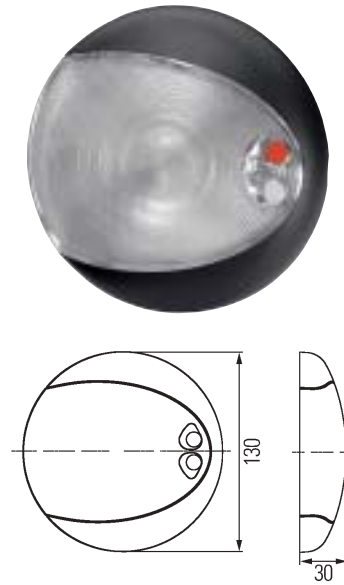
LED ceiling lights

EuroLED



- Waterproof and impact-resistant
- Low energy consumption
- Long service life

EuroLED Touch



EuroLED without touch switch

	Part no.
Black housing	2JA 959 820-501

EuroLED Touch with on/off and dimmer touch switch

Possible to switch from white to red

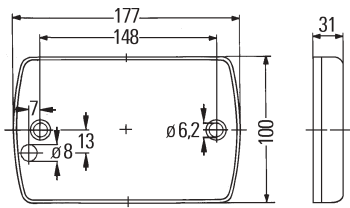
	Part no.
Black housing	2JA 959 950-031
White housing	2JA 959 950-041

Technical data	
Material description	Impact-resistant plastic, UV-resistant
Light source	High-power LED
Alignment of the light source	fixed
Lens	white
Installation	Surface-mounted
Electrical connection	via connection cable 2.5 m long
Voltage	Multi-voltage 9 - 33 VDC
IP protection class	6K6 6K7
Power consumption	White: 4 Watt (0.33 A at 12 V) Red: < 2.5 Watt (0.20 A at 12 V)



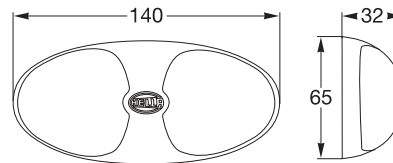
LED ceiling lights

DuraLED



- Waterproof and impact-resistant
- Low energy consumption
- Long service life

DuraLED oval



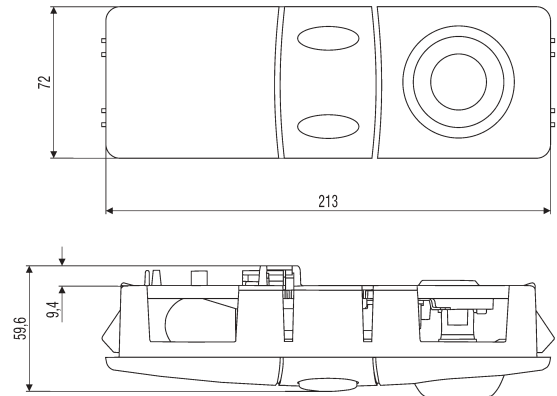
- Waterproof and impact-resistant
- High energy efficiency
- Long service life

Technical data	
Material description	Impact-resistant plastic, UV-resistant
Light source	36 LEDs
Alignment of the light source	fixed
Lens	clear
Housing	white
Installation	Surface-mounted
Electrical connection	via connection cable 2.5 m long
Voltage	Multi-voltage 9 - 33 VDC
IP protection class	6K6 6K7
Power consumption	9 Watt (0.75 A at 12 V)
Part no.	2JA 959 037-511

Technical data	
Number of LEDs	12
Radiation angle of the LED	120°
Alignment of the light source	fixed
Light source	cold-white Power-LEDs
Lens	white
Housing	white
Installation	Surface-mounted, screw attachment
Voltage	Dualvolt 12 and 24 V
IP protection class	6K6 6K7
Electrical connection	via cables (2 x 0.75 m ² ; length 180 mm)
Power consumption	3 Watt (0.25 A at 12 V)
Illuminance at 1 m	60 lux
Part no.	2JA 959 700-102



Ceiling light



- Modern design
- With integrated, adjustable reading spotlight
- Main and reading light function in one light unit

Technical data

Light source	Bulbs
Main light	P21 W
Reading light	R10 W
Lens	clear
Housing and switch	grey
Installation	Flush-mounted, catch attachment
Voltage	12 or 24 V
IP protection class	43
Electrical connection	using 2.8 mm male blade connectors
Power consumption main light	21 Watt (1.75 A at 12 V)
Power consumption reading light	10 Watt (0.83 A at 12 V)

Rated voltage	Part no.
12 V	2JA 009 037-017
24 V	2JA 009 037-027

Spare parts	Part no.
Main light	
Bulb P21W 12V	8GA 002 073-121
Bulb P21W 24V	8GA 002 073-241
Reading light	
Bulb R10W 12V	8GA 002 071-131
Bulb R10W 24V	8GA 002 071-251



Ambient LED-Spots



- LED lighting technology
- Installation possible with and without frame
- 12 V and 24 V

Clear-glass lens

Requires clean processing within the light, since the LEDs are visible.

Frame

One white, one grey and one black frame made of particularly shatterproof and impact-resistant plastic are included in the scope of supply.

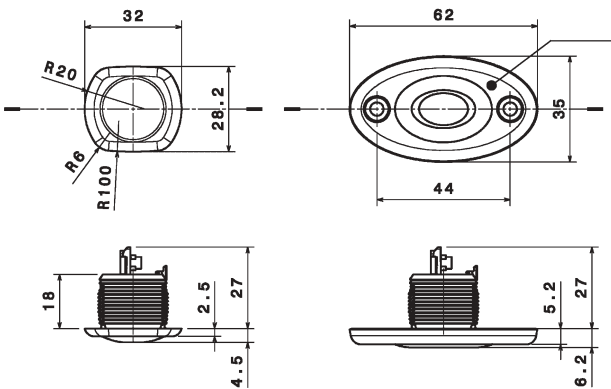
LED lighting technology

Extremely low power consumption: max. 0.3 Watt with 12 V and 24 V. No light source replacement, no maintenance and very long service life (up to 50,000 h).

Installation

The reading light is installed using an attachment element or alternatively with frame.

Modern oval design



Technical data	
Number of LEDs	1
Alignment of the light source	fixed
Light source	Standard-LED
Lens	clear
Installation	Flush-mounted, with or without frame, screw attachment or using attachment element
Voltage	12 V or 24 V
IP protection class	20
Electrical connection	via AMP plug housing
Power consumption	0.3 Watt (0.02 A at 12 V)
Illuminance at 1 m	5 lux

LED-light colour	Frame colour	Rated voltage	
		12 V	24 V
red	white, grey, black	2JA 344 170-001	2JA 344 170-101
blue	white, grey, black	2JA 344 170-011	2JA 344 170-111
white	white, grey, black	2JA 344 170-021	2JA 344 170-121
yellow	white, grey, black	2JA 344 170-031	2JA 344 170-131
white	white, silver, black	2JA 344 170-201	-



Flexible LED reading lamps



- LED lighting technology
- Available with 150 mm and 400 mm arm length
- With and without plug for cigarette lighter / power socket

Power-LED: Optimum light yield due to the use of Power-LED with an service life of at least 50,000 hours.

Lens with pattern: This focuses the light and ensures homogeneous light distribution. In addition, this results in narrow, spot-type illumination which is excellently suitable for map-reading.

Finisher: Especially shatterproof and impact-resistant (plastic: ABS) as well as resistant to UV rays. Available in the following colours: White, black and silver.

Switch: For additional operating comfort, an on/off switch is directly integrated in the light head and sealed by a rubber cap.

Light arm: Flexible and able to be swivelled to illuminate different directions and areas inside the vehicle.

Installation: Permanent screw-type installation as a surface-mount version or alternatively with plug for connection to cigarette lighter and power sockets.

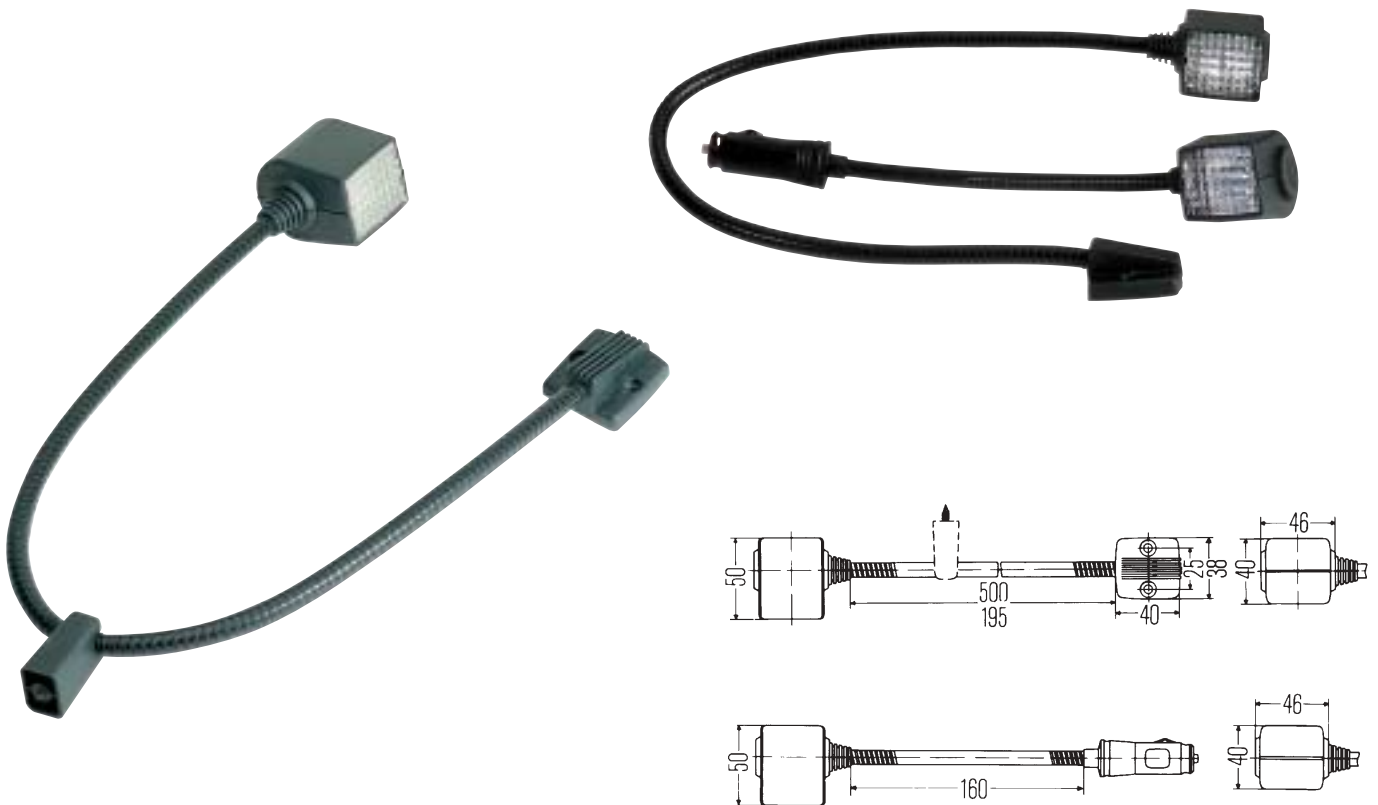
Multi-voltage: Multi-voltage circuits keep the light yield constant over a voltage range of 9 to 31 Volts. This makes it possible to use the same Hella LED reading light for both 12 and 24 Volt applications. Multi-voltage also compensates for voltage fluctuations which arise through the use of long cables, plug-connections and within the vehicle electric system. In addition, Hella multi-voltage circuits are protected from inverse polarity and voltage peaks, enabling them to provide reliable safety even at low battery voltages.

Technical data	
Number of LEDs	1
Illumination angle	38°
Alignment of the light source	flexible thanks to light arm
Light source	LED
Lens	with patterned lens
Installation	Surface-mounted, screw attachment or using plug for cigarette lighter
Voltage	Multi-voltage (9-31 VDC)
IP protection class	53
Electrical connection	via cables (2 x 0.75 mm ² ; length 150 mm) or cigarette lighter
Power consumption	2.5 Watt (0.20 A at 12 V)
Illuminance at 0.7 m	110 lux

Colour of the cap	LED-light colour	Arm length 150 mm	Arm length 150 mm with plug for cigarette lighter	Arm length 400 mm
white	white	2JA 343 720-011	2JA 343 720-071	2JA 343 720-111
black	white	2JA 343 720-021	2JA 343 720-081	2JA 343 720-121
silver	white	2JA 343 720-291	2JA 343 720-091	2JA 343 720-191



Flexible Xenon reading lights



Technical data

Alignment of the light source	flexible thanks to light arm
Light source	Xenon bulb
Lens	clear
Installation	Surface-mounted, screw attachment or using plug for cigarette lighter
Voltage	12 V or 24 V
Electrical connection	via cables (2 x 0.75 mm ² ; length 100 mm) or cigarette lighter plug
Power consumption	6 Watt (0.50 A at 12 V)

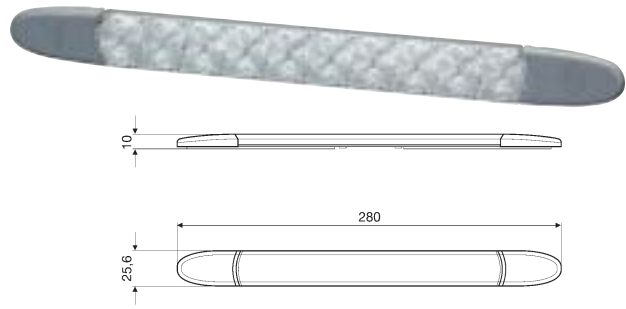
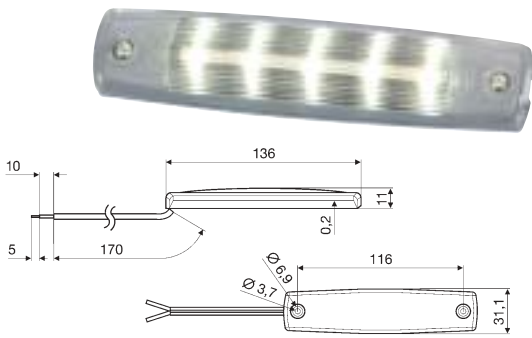
Arm length	Part no.
500 mm, 12 V	2AB 004 532-001
500 mm, 24 V	2AB 004 532-051
195 mm, 12 V	2AB 004 532-011
160 mm, for cigarette lighter. 12 V	2AB 004 532-021

Spare parts	Part no.
Xenon bulb 12 V	8GP 007 676-121
Xenon bulb 24 V	8GP 008 285-001
Bracket	9XB 136 202-005

Accessories	Part no.
Lens (red)	9EL 128 922-011



Flat LED surface-mounted lights



- LED lighting technology
- Extremely flat design (max. 11 mm)
- IP protection class 6K9K
- Ideal for the illumination of steps, footwells and storage compartments as well as in cold and moist environments

Mini ThinLED

Technical data	
Number of LEDs	5
Illumination angle	34°
Alignment of the light source	fixed
Light source	LED
Lens	clear
Installation	Surface-mounted, screw attachment
Voltage	12 V or 24 V
IP protection class	6K9K
Electrical connection	via cables (2 x 0.75 mm ² ; length 170 mm)
Power consumption	2.8 Watt (0.23 A at 12 V)
Illuminance at 1 m	7.2 lux

ThinLite

Technical data	
Number of LEDs	10
LED-light colour	white or blue
Illumination angle	38°
Alignment of the light source	fixed
Light source	LED
Lens	clear
Installation	Surface-mounted, screw attachment
Voltage	12 V or 24 V
IP protection class	6K9K
Electrical connection	via cables (2 x 0.75 mm ² ; length 1 m)
Power consumption	1.8 Watt (0.15 A at 12 V)
Illuminance at 1 m	32 lux

Rated voltage	PU*	Part no.
12 V	1	2JA 343 660-101
12 V	30	2JA 343 660-107
24 V	30	2JA 343 660-117

LED-light colour	PU*	Rated voltage	Part no.
white	1	12 V	2JA 343 606-001
white	30	12 V	2JA 343 606-007
white	1	24 V	2JA 343 606-011
white	30	24 V	2JA 343 606-017
blue	1	12 V	2JA 343 606-201
blue	30	24 V	2JA 343 606-217

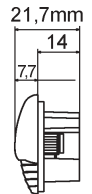
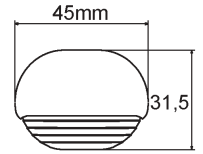
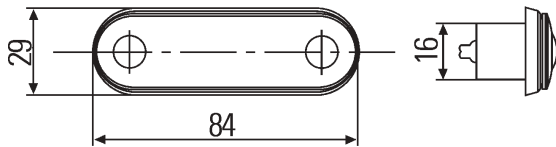
* Contents in packaging unit



LED orientation lights

Compact LED step lights, flush-mounted

Waterproof, impact-resistant, durable and energy-efficient



Technical data	
Number of LEDs	2
LED-light colour	white or blue
Lens	clear
Housing colour	black
Installation	Flush-mounted, screw attachment
Voltage	Multi-voltage 10-33 V
Electrical connection	via connection cable 120 m long
Power consumption	0.5 Watt (0.04 A at 12 V)

Technical data	
Number of LEDs	1
LED-light colour	white or blue
Lens	clear
Housing colour and cap	white
Installation	Flush-mounted, screw attachment
Voltage	Multi-voltage 8-28 V
Electrical connection	via connection cable 100 m long
Power consumption	0.5 Watt (0.04 A at 12 V)

LED-light colour	Part no.
white	2XT 959 510-427
blue	2XT 959 510-657

LED-light colour	Part no.
white	2JA 998 560-017
blue	2JA 998 560-057

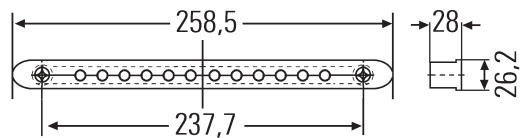
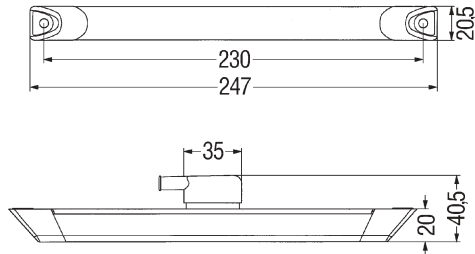


also with polished steel frame:

LED-light colour	Part no.
white	
blue	2XT 959 680-612



LED orientation lights



LED step light, surface-mounted

with CELIS® light guide technology

LED step light, flush-mounted

Waterproof, impact-resistant, durable and energy-efficient

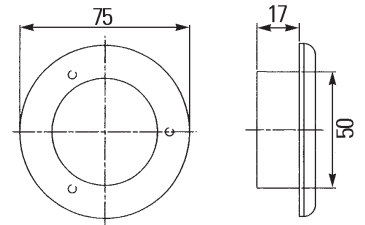
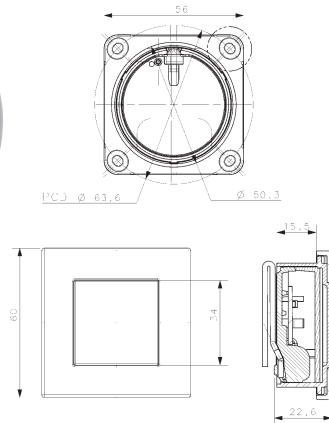
Technical data	
Light source	2 white LEDs
Lens	clear
Housing colour	grey
Installation	Surface-mounted, screw attachment
Voltage	12 V
Electrical connection	via 2.8 mm male blade connector
Power consumption	0.7 Watt (0.05 A at 12 V)
Part no.	2JA 008 078-031

Technical data	
Light source	10 white LEDs
LED-light colour	white
Alignment of the light source	fixed
Lens	white
Housing colour	black
Installation	Flush-mounted, screw attachment
Voltage	12 V or 24 V
Electrical connection	via connection cable 2.5 m long
Power consumption	2 Watt (0.16 A at 12 V)

Rated voltage	Part no.
12 V	2JA 959 073-001
24 V	2JA 959 073-201



LED orientation lights



LED orientation light, square

Waterproof, impact-resistant, durable and energy-efficient

Technical data	
Number of LEDs	4
LED-light colour	white
Lens	white
Housing colour	white
Installation	Flush-mounted, screw attachment
Voltage	12 V or 24 V
Electrical connection	via connection cable 120 m long
Power consumption	0.5 Watt (0.04 A at 12 V)

Version	Part no.
Standard, 12 V	2XT 980 580-052
Standard, 24 V	2XT 980 581-052
High-Power, 12 V	2JA 980 596-002
High-Power, 24 V	2JA 980 596-102

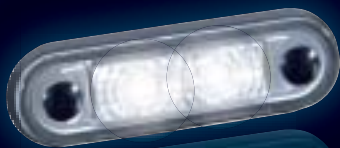
LED orientation light, round

Waterproof, impact-resistant, durable and energy-efficient

Technical data	
Number of LEDs	4
LED-light colour	white or blue
Lens	white
Housing colour	white
Installation	Flush-mounted, screw attachment
Voltage	Multi-voltage 10-33 V
Electrical connection	via connection cable 120 m long
Power consumption	0.5 Watt (0.04 A at 12 V)

LED-light colour	Part no.
white	2XT 959 500-677
blue	2XT 959 500-207

Accessories	Part no.
Metal frame, stainless polished	9AB 959 505-501
Metal frame, stainless, satin finish	9AB 959 505-561



© Hella KGaA Hueck & Co. Lippstadt 922 999 130-065 SCH/10.10/1.6 Printed in Germany

Hella KGaA Hueck & Co.
Rixbecker Straße 75
59552 Lippstadt, Germany

Tel.: +49 2941 38-0
Fax: +49 2941 38-7133
Internet: www.hella.com

