




BRIEF INFORMATION

Luminator Compact LED auxiliary light with high-performance LEDs



PRODUCT FEATURES

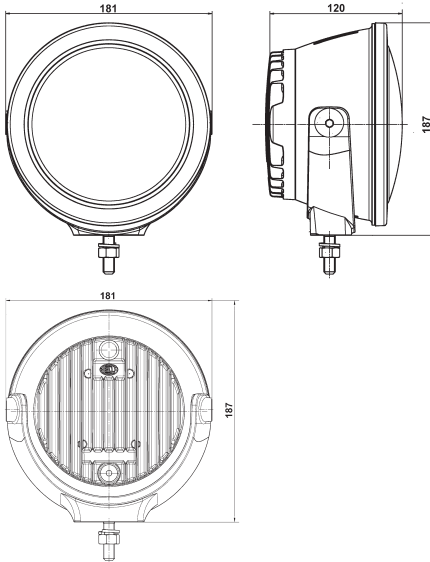
100 % LED auxiliary light "Made in Germany"

- For offroad use, briefly immersible (up to 5 minutes fording at up to 0.5 m in clear water)
- The heavy-duty version also has a 2500 mm ventilation hose to permit fording even in muddy water
- 75 % lower energy consumption than with xenon technology
- Highbeam flasher emits light instantly with no delay
- High-performance LED for long range
- Complete illumination of the roadway thanks to computer-calculated double-reflector technology
- Light sources no longer need to be replaced
- Integrated electronics and fins for passive cooling, no fan required
- May be mounted upright or suspended
- Rugged metal housing and sturdy holder
- 12 V / 11 W, 24 V / 11 W (multivoltage)
- Highbeam headlight with reference no 45 and ECE-approval  3738
- Weight 2130 g

RANGE OVERVIEW



- LED headlight with mounted 3000 mm two-pole cable (with open ends)
- Heavy-duty version also with 2500 mm ventilation hose and T-piece (for ventilating a second headlight)
- Mounted holder
- Mounting instructions



Luminator Compact LED (ECE reference number 45) multivoltage 12/24 V

Spotlight with chrome design ring	1F3 011 815-001
Spotlight with black design ring	1F3 011 815-011
Spotlight (heavy-duty) with black design ring, ventilation hose and T-piece	1F3 011 815-031

Spare parts

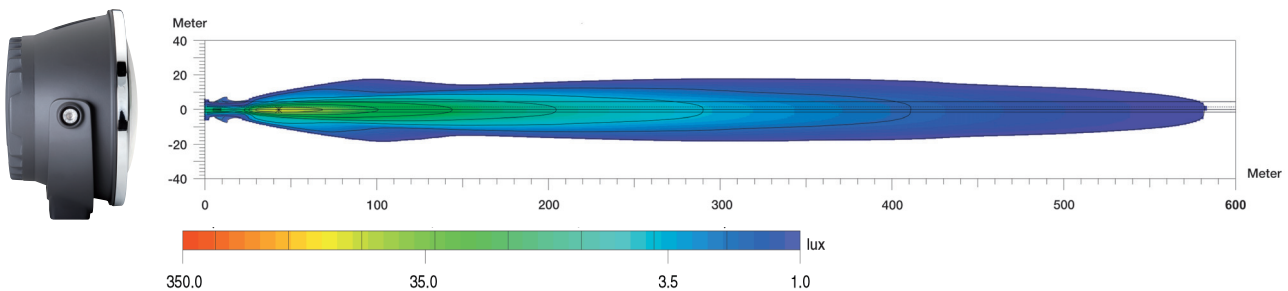
Lens with chrome design ring	9AG 195 614-001
Lens with matt black designer ring	9AG 195 614-011

Accessories

Protective cap for Luminator Compact LED	8XS 199 170-011
--	-----------------

LIGHT DISTRIBUTION

Luminator Compact LED, high beam with reference number 45



Lux is the unit of illuminance.

It expresses the luminous flux from the light source that impinges on a specific area. For example, an office should be illuminated to at least 500 lux and the human eye can still read a newspaper without any problems at 1 lux. The values underneath the lux axis show at which point of the light distribution diagram the corresponding illumination intensity is reached.

Reference numbers 50, 45, 40, 37.5, 17.5 and 12.5:

The reference number (Ref.) is a figure that applies to a spotlight. Under ECE regulations, this reference number may not exceed the upper limit of 100 per vehicle. This figure includes the values for the two standard high beams (left and right headlights) plus those of any other installed spotlights. The appropriate value is engraved on the lens of each approved headlight.



See the light!
Additional headlights from HELLA. The right light for every application. Try them out online now!

www.hella.com/upc

www.hella.com/truck

www.hella.com/offroad

www.hella.com/eliver